

ShiftCam

TravelPod Pro user manual

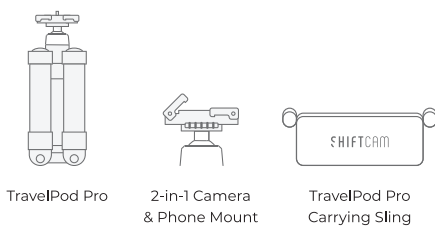
Attention

1. Overloading using is prohibited.
2. Operate it under minus 40 degrees and over 70 degrees is prohibited.
3. Placing the product under the sun for long time is prohibited.
4. Carefully operate it when in dangerous places.
5. Equipment and tripod move together is prohibited.
6. Lubricant is not needed, however, please use standard lubricant or lipa when necessary.
7. For your safety, do not allow tripod to come in contact with electrified objects, high voltage equipment and corrosive chemicals.

Cleaning & Maintaining

After shooting, please expand all the tripod legs and use dry cloth (absolute alcohol or rubbing alcohol are ok) to clean the dirt. If the tripod legs get wet, please expand the legs and allow to dry.

What's in the Box



Warranty

We offer a 2-Year Warranty that covers your TravelPod Pro products from any manufacturing flaws or defects. Warranty does not cover damages from accidents or misuse.

Scan the QR code to register your ShiftCam product for warranty:



Need Assistance?

Got a question about our products? Scan the QR code to submit an enquiry, or email us at cs@shiftcam.com and we would be happy to assist you. Happy shooting!



Quick Start Guide Guide de démarrage rapide

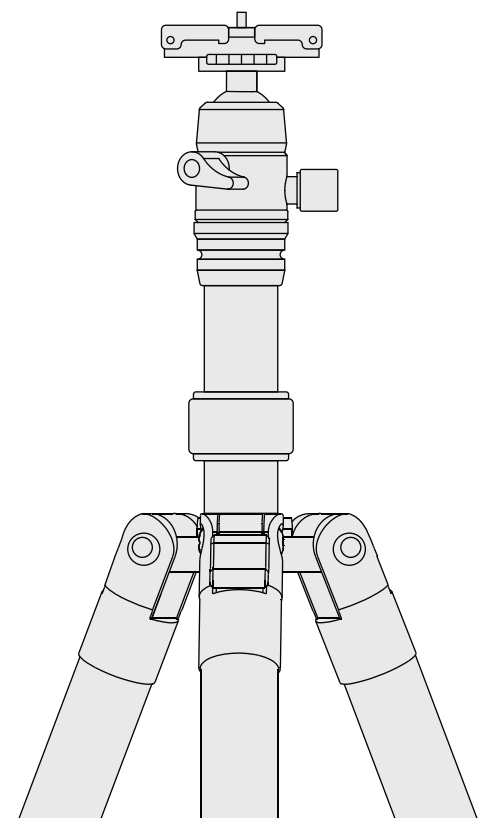
Guía rápida de inicio
Schnellstartanleitung
Guida Rapida



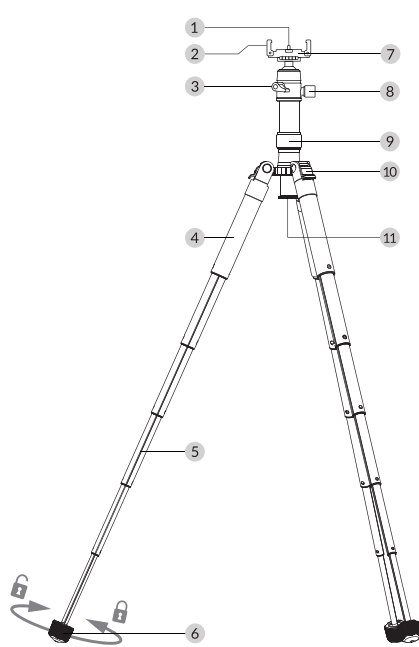
SHIFTCAM

EMPOWERING MOBILE CREATIVITY

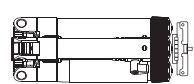
TravelPod TravelPod Pro



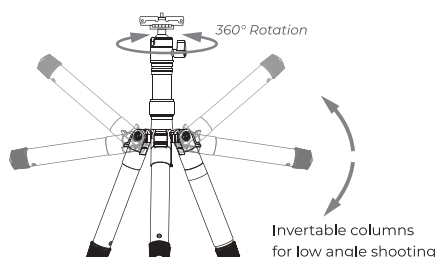
Product Overview



- | | |
|---------------------|------------------------------|
| 1 1/4 screw | 7 Camera platform |
| 2 Smartphone clamp | 8 Base lock knob |
| 3 Ball locking knob | 9 Center column locking knob |
| 4 Silicon grip | 10 Angle adjustment button |
| 5 Twist tube | 11 Detachable bottom cap |
| 6 Rubber foot pad | |

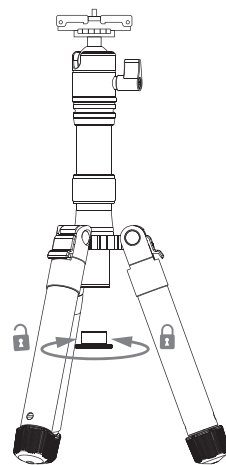


Portable & compact multifunctional equipment for photography

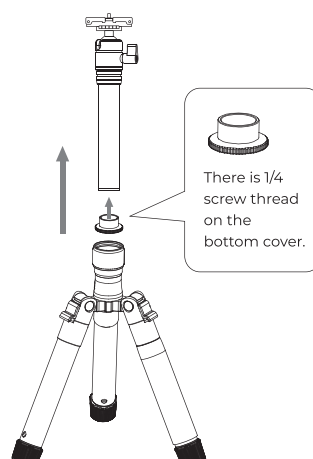


Transform into Monopod/Selfie Stick

- 1 Remove center column bottom cap.



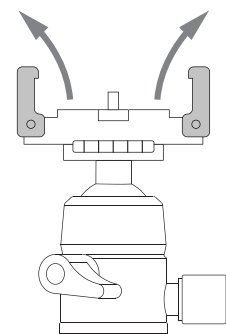
- 2 Pull out the center column, and put the bottom cap on again and use it as a monopod/selfie stick.



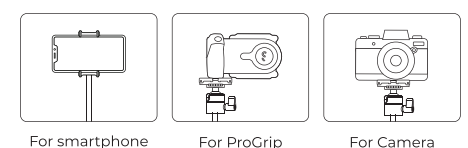
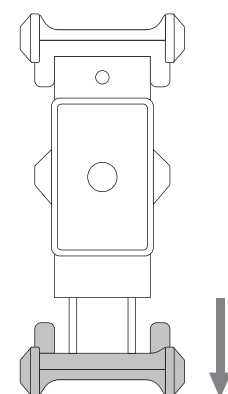
There is 1/4 screw thread on the bottom cover.

Transforming Platform Into Smartphone Clamp

- 1 Flip open the clamp wings upward.



- 2 Pull on one side to clamp your smartphone.



For smartphone

For ProGrip

For Camera