



TRAVELPOD SELFIE
Designed for Mobile

Warranty/ Garantie
Garantía / Garantie / Garanzia

Scan to register your 1-Year-Warranty.
Scanner pour enregistrer votre warranty de 1 ans.

Escanee para registrar su jerga de 1 años.
Scannen Sie, um Ihre 1-jährige Schwierigkeit zu registrieren.
Scansion per registrare la tua garanzia di 1 anni

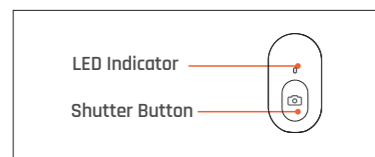
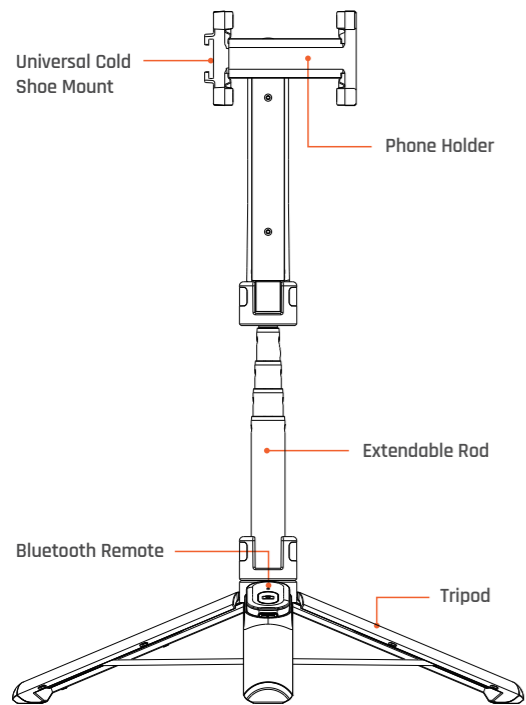


✉ cs@shiftcam.com

#PoweringCreativity



Product Appearance

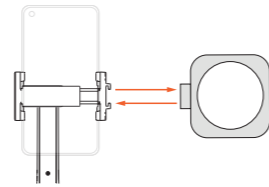


Quick Start Guide / Guide de démarrage rapide

Guia rápida de inicio
Schnelstartanleitung
Guída Rapida

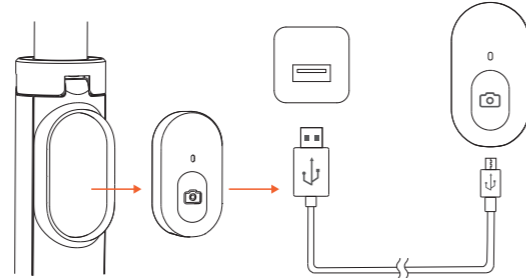
Universal Cold Shoe Mount

Accessorize your TravelPod Selfie with lights or microphones.



Charging the Bluetooth Remote

Take out the Bluetooth Remote from the TravelPod Selfie and plug the Type-C Cord to the bottom of the Bluetooth Remote and charge with USB.



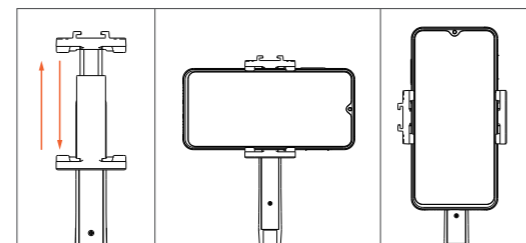
Bluetooth Connection



Turn on pairing mode after long pressing the shutter button for 3 seconds. Then turn on Bluetooth connection on your phone settings. Connect to "TravelPod Selfie". When the flashing stops and turns solid blue, the pairing is complete.

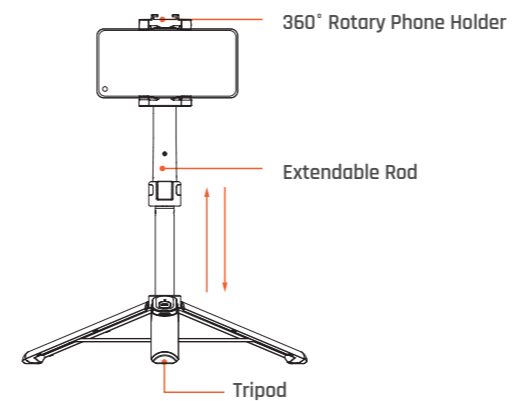
Mount Your Phone

Extend the clamps then fix your phone securely on the holder. Avoid clamping onto the external buttons on your phone like the volume or power button.



Set the Tripod

Pull the extendable rod outwards to maximum height then adjust to preferred height, open tripod legs and place on even surface.



Warnings

1. Choking hazard. This product is not designed for children under 14 years old.
2. Do not dismantle or modify the products.
3. Do not store or use in a humid environment.
4. Keep the product away from heat sources.

English:

This device complies with Industry Canada licence-exempt RSS standard(s). Operation is subject to the following two conditions:
(1) this device may not cause interference, and
(2) this device must accept any interference, including interference that may cause undesired operation of the device.

French:

Le présent appareil est conforme aux CNR d'Industrie Canada applicables aux appareils radio exempts de licence. L'exploitation est autorisée aux deux conditions suivantes :
(1) l'appareil ne doit pas produire de brouillage, et
(2) l'utilisateur de l'appareil doit accepter tout brouillage radioélectrique subi, même si le brouillage est susceptible d'en compromettre le fonctionnement.

RF Warning Statement:

The device has been evaluated to meet general RF exposure requirement. The device can be used in portable exposure condition without restriction.

L'appareil a été évalué pour répondre aux exigences générales d'exposition aux RF. L'appareil peut être utilisé sans restriction dans des conditions d'exposition portables.