

EN

muggo

TEMPERATURE CONTROL TRAVEL MUG



Model M1

# USER MANUAL

Read the manual before operating this product. Use only as directed.

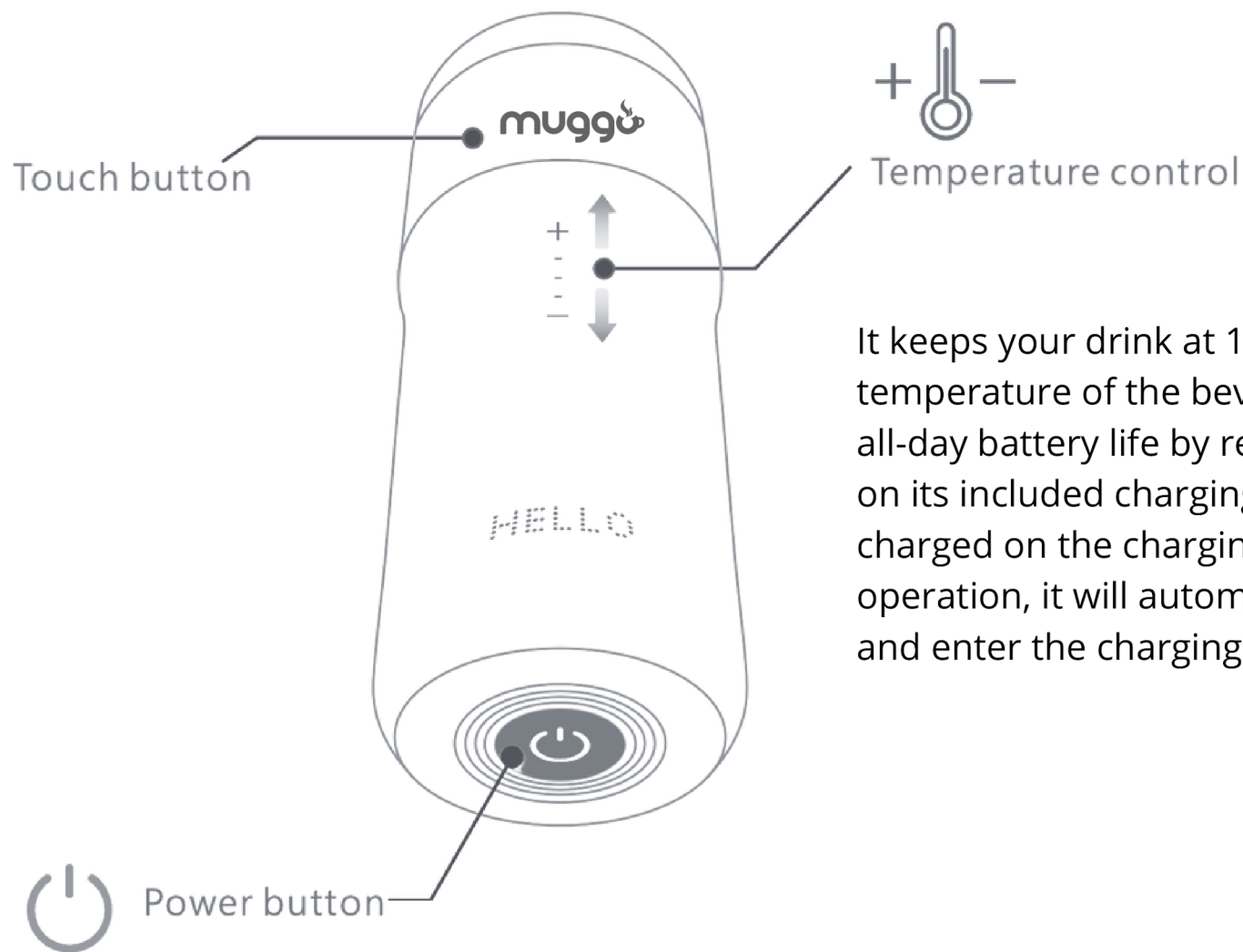
Imported by OUI SMART  
15 RUE DES HALLES  
75001 PARIS, FRANCE  
[www.muggo.co](http://www.muggo.co)  
[hello@muggo.co](mailto:hello@muggo.co)



CE

Made in China

# CAUTION



It keeps your drink at 135°F. You can adjust the temperature of the beverage on the Muggo Mug. Enjoy all-day battery life by regularly placing the Muggo Mug on its included charging stand. When the Muggo Mug is charged on the charging stand and heated, if there is no operation, it will automatically stop heating after 4 hours and enter the charging mode.



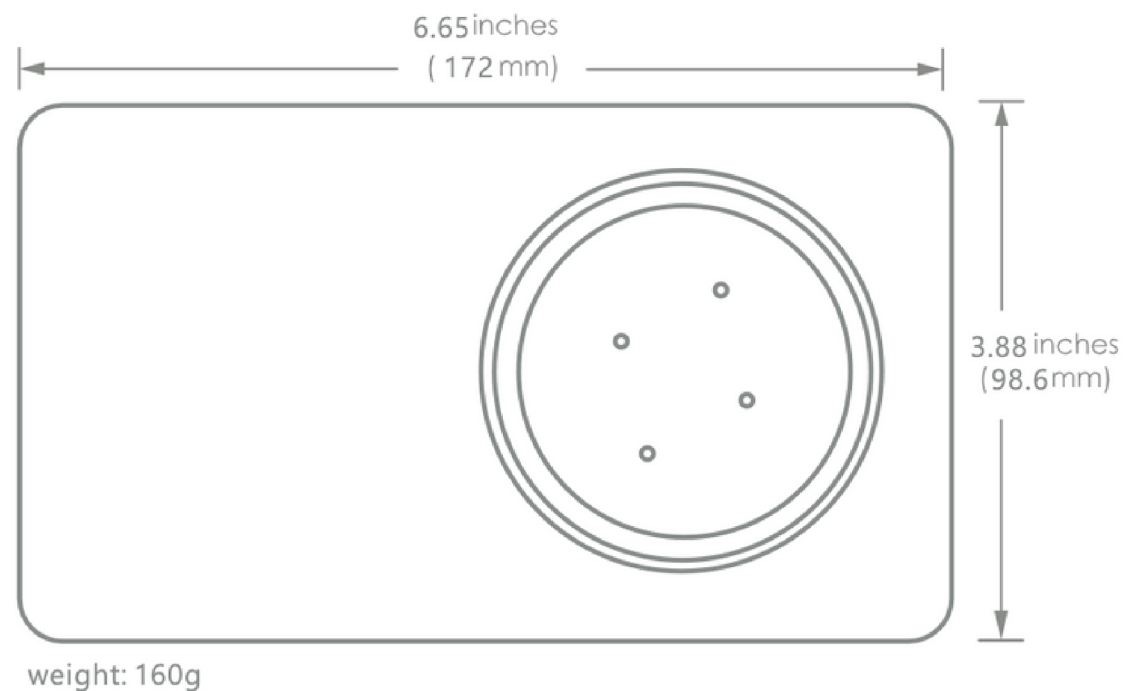
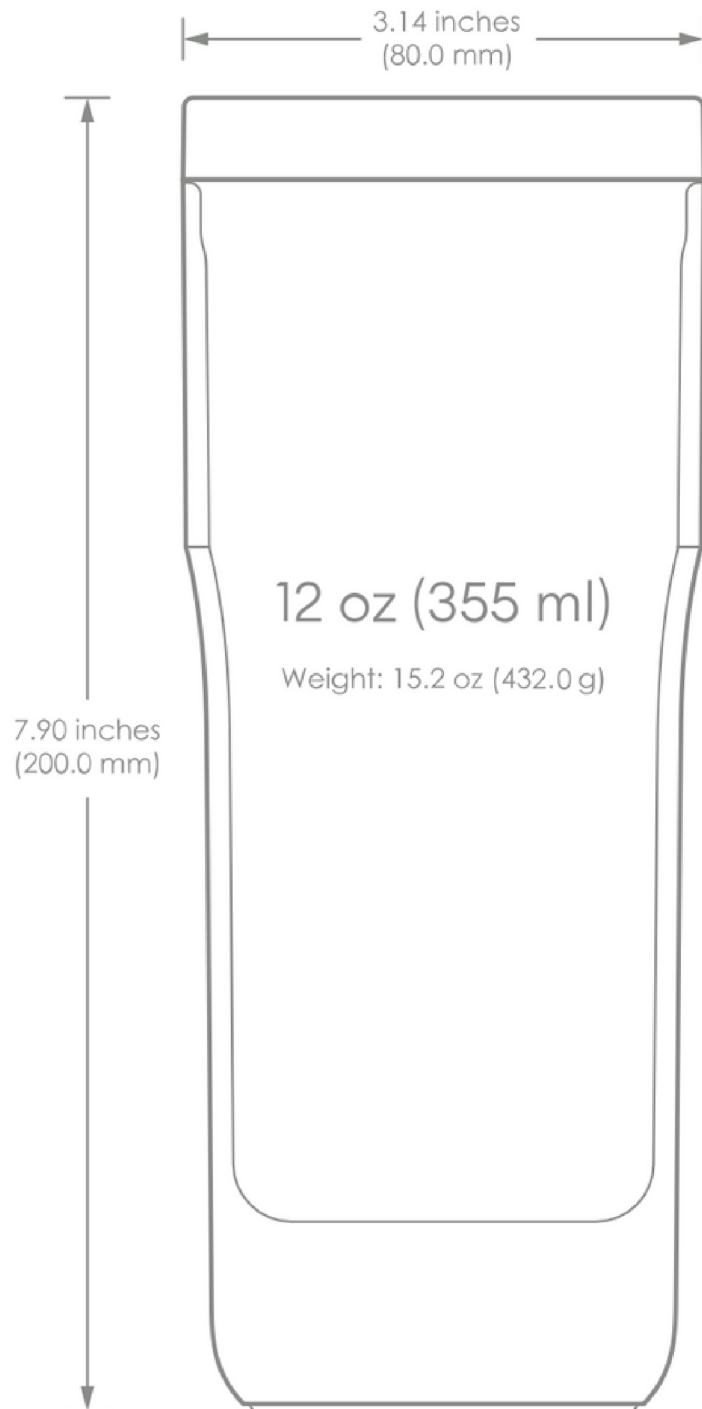
Do not fill the Muggo Mug above the "MAX" fill line inside.



Hot liquids can create internal pressure, leading to a spray of hot liquid when opening the lid. Always make sure to keep the Muggo Mug away from your face when pressing down on the lid.

# SPECIFICATION

- **Name:** Temperature Control Travel Mug
- **Material:** Stainless steel + ABS + PC plastic
- **Capacity:** 12oz/355ml
- **Waterproof grade:** IPX7 (submersible up to 1 meter in water)
- **Battery type:** Built-in lithium-ion battery



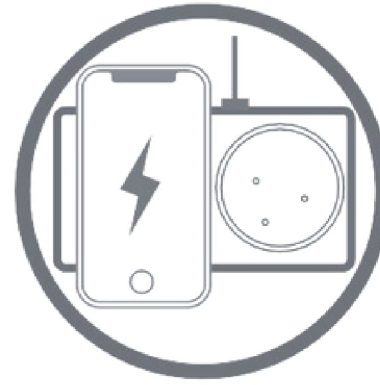
# INTRODUCTION



Keep your drink hot  
120°F - 145°F (50°C - 62.5°C)



Built-in battery with a 3-  
hour battery life.



Wireless charging on the  
charging stand for  
smartphones



Easy to clean. Hand wash.

# OPERATION METHOD



HELLO

Turn on - Press the power button once.



GOODBYE

Turn off - Press and hold the power button for 2 seconds.



RESET

Reset - Press and hold the power button for 7 seconds.



57.0

View the current temperature - Tap the Muggo logo  
once.



■■■■

View the battery life - Perform three taps on the Muggo logo.



■■■■ 57.0

Change the temperature - Perform two taps on the Muggo logo, then press "+" or "-" to adjust the

# OPERATION METHOD



Change temperature unit - When the Muggo Mug displays the current temperature of the liquid or "COLD", press the power button twice to switch the temperature unit display, °F / °C.

ERROR

"ERROR" is displayed when the Muggo Mug encounters a processing error due to one or more hardware failures.

EMPTY

"EMPTY" is displayed when the Muggo Mug is empty.

~ ~ ~

When liquid with a temperature above 38°C is poured into the Muggo Mug, a wavy line is displayed.

COLD

"COLD" is displayed when the thermal sensor does not detect any temperature change inside the Muggo Mug.

**Environmental protection list**



List the names of toxic ,harmful substances and elements that may be contained in electrical and electronic products, and the contents are listed in the following table

|                    | (pb) | (Hg) | (cd) | (Cr (VI)) | (PBB) | (PBDE) |
|--------------------|------|------|------|-----------|-------|--------|
| Battery parts      | O    | O    | O    | O         | O     | O      |
| PCBA parts         | x    | O    | O    | O         | O     | O      |
| LCD parts          | O    | O    | O    | O         | O     | O      |
| Temp sensor        | O    | O    | O    | O         | O     | O      |
| Silicon parts      | O    | O    | O    | O         | O     | O      |
| Lid plastic parrts | O    | O    | O    | O         | O     | O      |
| Date line          | O    | O    | O    | O         | O     | O      |
| Mug body           | O    | O    | O    | O         | O     | O      |
| Package            | O    | O    | O    | O         | O     | O      |

This form is based on SJ / t1364 specification

O indicates the content of the hazardous substance in the parts below the limit specified in GB / t26572-2011

X means at least one homogeneous material of the component exceeds the limit requirements specified in GB / 26572-2011

※indicates that this model may contain these substances, but the information will be updated with the development of technology

Description of harmful substance: the content of harmful substance elements in the materials used in our company's products has complied with the limit requirements of GB / 26572

Among them, the component "X" indicates that the development of global technology level cannot achieve the substitution of harmful substance element content. Our company will

With the development of technology, efforts will be made to replace hazardous substances. If the technology development and environmental protection of hazardous substances in materials are upgraded, no notice will be given.



This product has recyclable materials, which shall be disposed according to local laws and regulations. Through recycling, protect our environment

Important contribution to environmental protection

**EN**

# ATTENTION



Exercise caution when consuming hot beverages. Let them cool down before consuming.



Do not microwave the Muggo Mug. The Muggo Mug is an electronic device that should never be placed in the microwave.



Keep the Muggo Mug out of reach of children when filled with hot beverages.



Dry it thoroughly. Make sure the gold rings at the base of the Muggo Mug and the pins on the charging coaster are dry before charging.



The Muggo Mug is hand wash only. Please do not put the Muggo Mug in the dishwasher.

1. Do not expose in high temperature room or sunlights
2. Do not store carbonated beverages
3. Do not use it to keep dairy products or baby food warm for a long time (risk of bacterial reproduction)
4. Do not use microwave ovens and other heating equipment to heat the products.
5. Do not use dishwasher to wash the Muggo travel mug
6. When hot water is filled, place the product out of the reach of children to avoid injury / scald
7. Do not bump violently to avoid deformation / damage of the Muggo travel Mug
8. Non professionals should not open the cup cover to repair or replace parts
9. Do not pour too much-boiling water to avoid boiling water overflowing when screwing on the lid.
10. Muggo Travel Mug has passed the IPX7 waterproof test, it can be safely rinsed, but the lid is build-in with electronic chip components, so the lid is not suitable for soaking in water long time (not over 30min), and boiling is prohibited.

**Feel free to get in touch with us at [hello@muggo.co](mailto:hello@muggo.co) or visit our website [muggo.co](http://muggo.co)**

Muggo branded items purchased from [muggo.co](http://muggo.co) include 2 years limited replacement warranty. For Customer Service, please send us email: [hello@muggo.co](mailto:hello@muggo.co)

**DO NOT DISPOSE OF BATTERIES IN FIRE. ALWAYS DISPOSE OF BATTERIES PER LOCAL & FEDERAL GUIDELINES.**

Muggo® name and logo are registered trademarks.

©MUGGO. All Rights Reserved.

