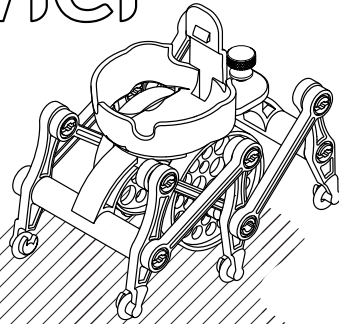
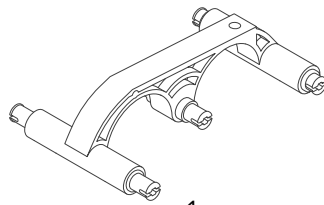


# ozobot crawler

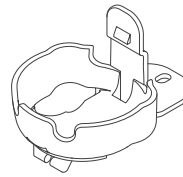
## ASSEMBLY INSTRUCTIONS



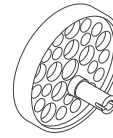
### INCLUDED PIECES



1x



1x



2x



6x



6x



6x

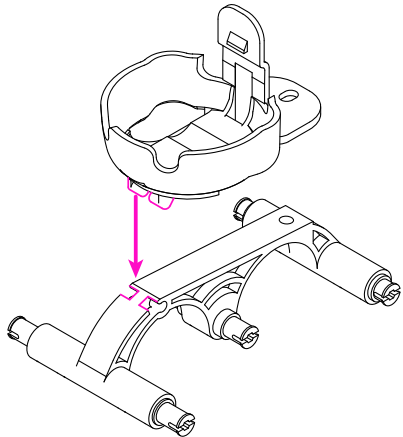


1x

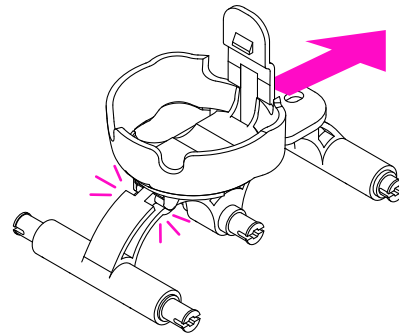


7x

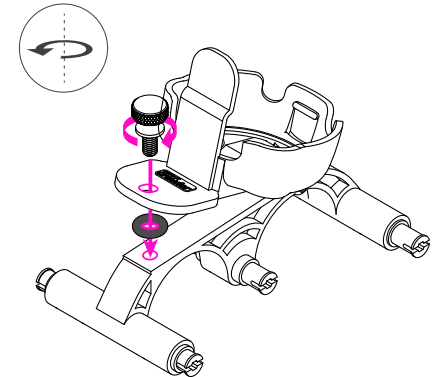
1



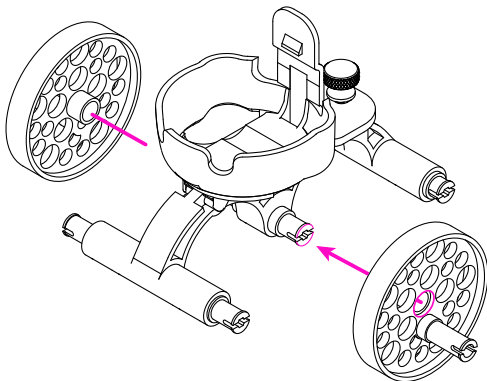
2



3

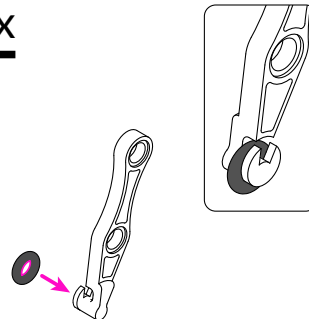


4



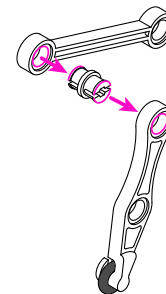
5

2x

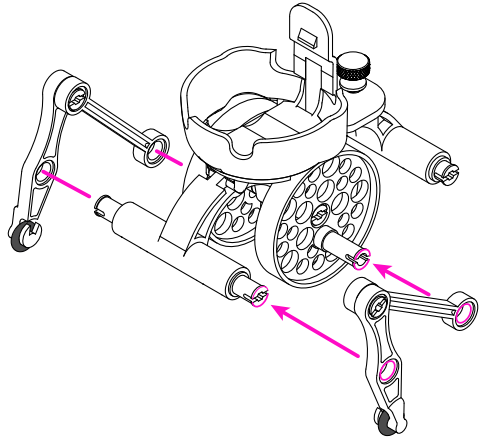


6

2x

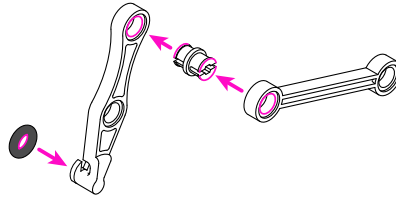
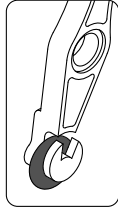


7

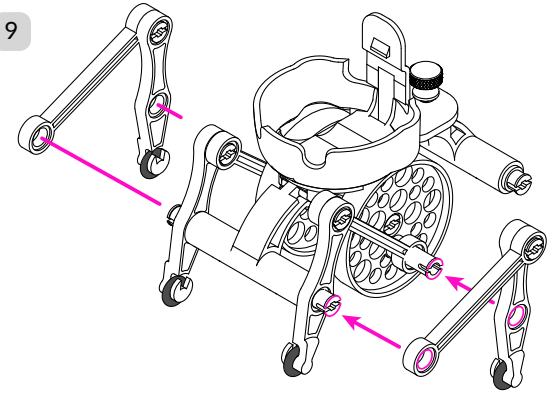


8

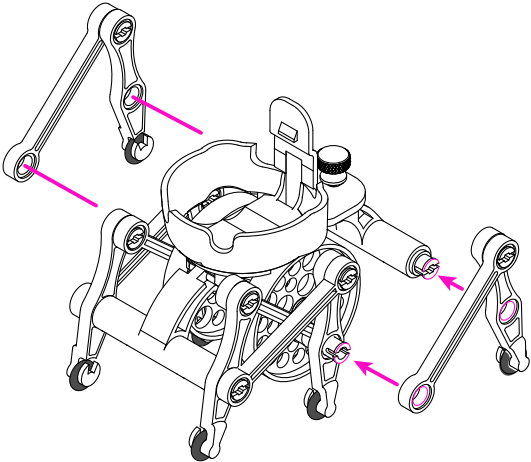
4x



9

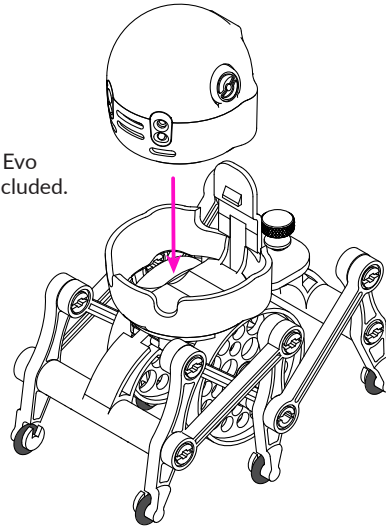


10

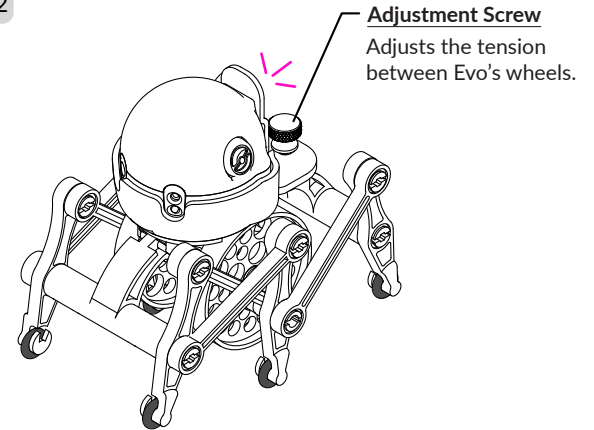


11

Ozobot Evo is not included.



12



### Operating Crawler

Ozobot Crawler can be controlled in two ways:

1. Crawler Control via the Evo App
2. Ozobot Blockly

### 1. Crawler Control via Evo App

To download the Evo App, visit either the iTunes or Google Play store and download the Evo App by Ozobot.



Within the Evo App, navigate to 'Explore' in the bottom menu, then select 'Crawler Control' at the top.

### 2. Ozobot Blockly

Launch Ozobot Blockly via [ozoblockly.com](http://ozoblockly.com) and build a program. Mount Evo on Crawler and see it come to life!

*Please note, some functions in levels 2-5 may not operate normally when in Crawler mode.*

To explore lessons for Crawler, visit [classroom.ozobot.com](http://classroom.ozobot.com) or scan this QR Code:



Questions?  
Contact [support@ozobot.com](mailto:support@ozobot.com)